



## Unified Communications by innovaphone



# innovaphone

PURE IP COMMUNICATIONS



# innovaphone AG



- independent, medium-sized German manufacturer
- technology-oriented with high strong competences
- IP communication for companies with award winning design and intuitive handling
- founded in 1997 by present management
- based in Sindelfingen; Germany + 5 locations in Europe
- innovaphone AG is not market-listed and 100% equity-financed

**The brand name „innovaphone PBX“ represents a complete IP communication solution, including Unified Communications (UC), tailored to the needs of any company.**

SecurITy

made  
in  
Germany

TeleTrust Quality Seal  
[www.teletrust.de/itsmig](http://www.teletrust.de/itsmig)

innovaphone



# innovaphone – somehow different...

## The company

### European telecommunication manufacturer

- Owner managed company – only bound to the success of our own products
- Local markets – local cultures
- Language variety
- Organic growth– no M&A strategy
- Security as a core topic
- Thousands of customers trust in innovaphone



innovaphone



# What makes innovaphone so different....?

- The PBX is our core business
  - Inhouse Know how – own solutions
  - Inhouse development for Hard- and Software
  - Hard- and Software match perfectly
  - 100% - Focus - no experiments
  - Permanent improvements on products and processes
  - Perfect solutions for Cloud, Hosting and local installations
  - Variety through lived partnerships
  - Real openness through freely accessible and public documented interfaces

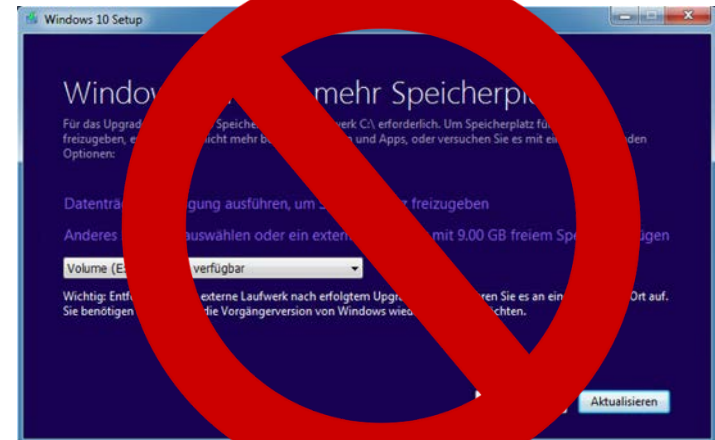


innovaphone



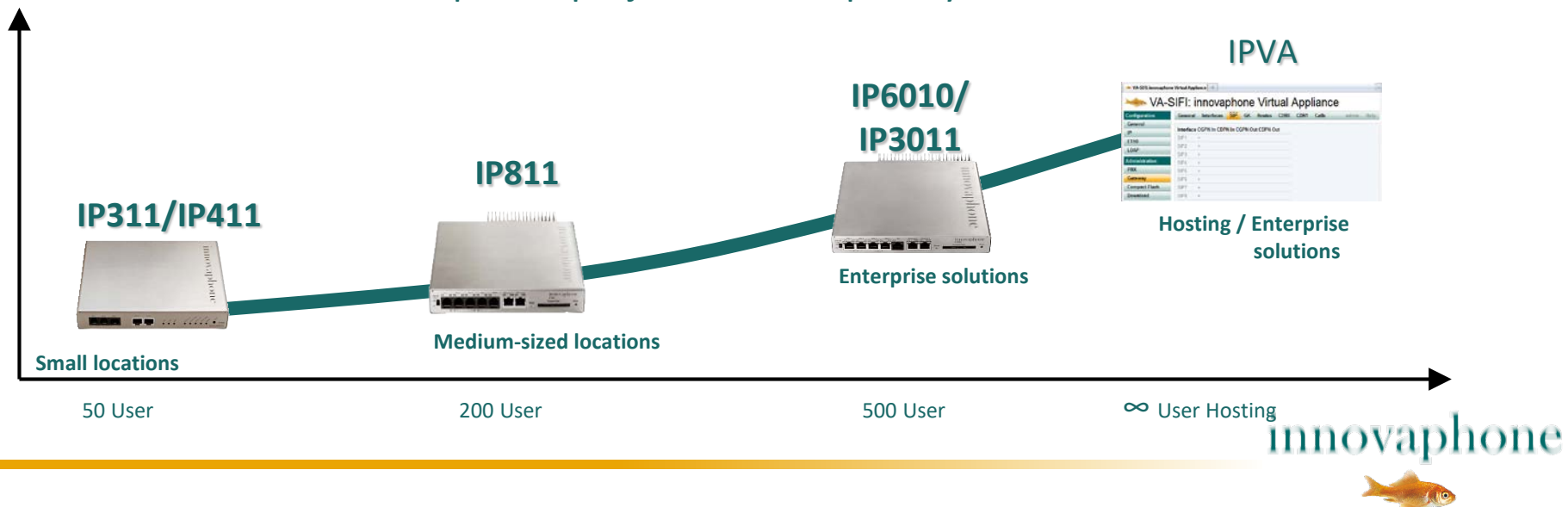
# What makes innovaphone so different....?

- Simple and effective for partners and customers
  - reliable technology
  - unified and structured administration
  - Extremely low resources requirements
    - Energy requirement
    - Space requirement
    - Memory requirement
    - CPU requirement
    - Licenses (own OS)
  - High availability through flexible redundancy concept



# What makes innovaphone so different....?

- Only one system for all and everything:
  - Scalable from 2 up to 40.000 user on the same platform
  - Growth without system change or hardware change
  - All-IP: Hard cut or smooth migration also from third-party systems
  - End device independent, browser-based UC-Application myPBX
    - Also for iOS and Android
    - WebRTC integration for more flexibility
  - Built in security components like SBC, Reverse Proxy etc. are part of the system
  - Usable in sector specific projects like Hospitality or Healthcare



# What makes innovaphone so different....?

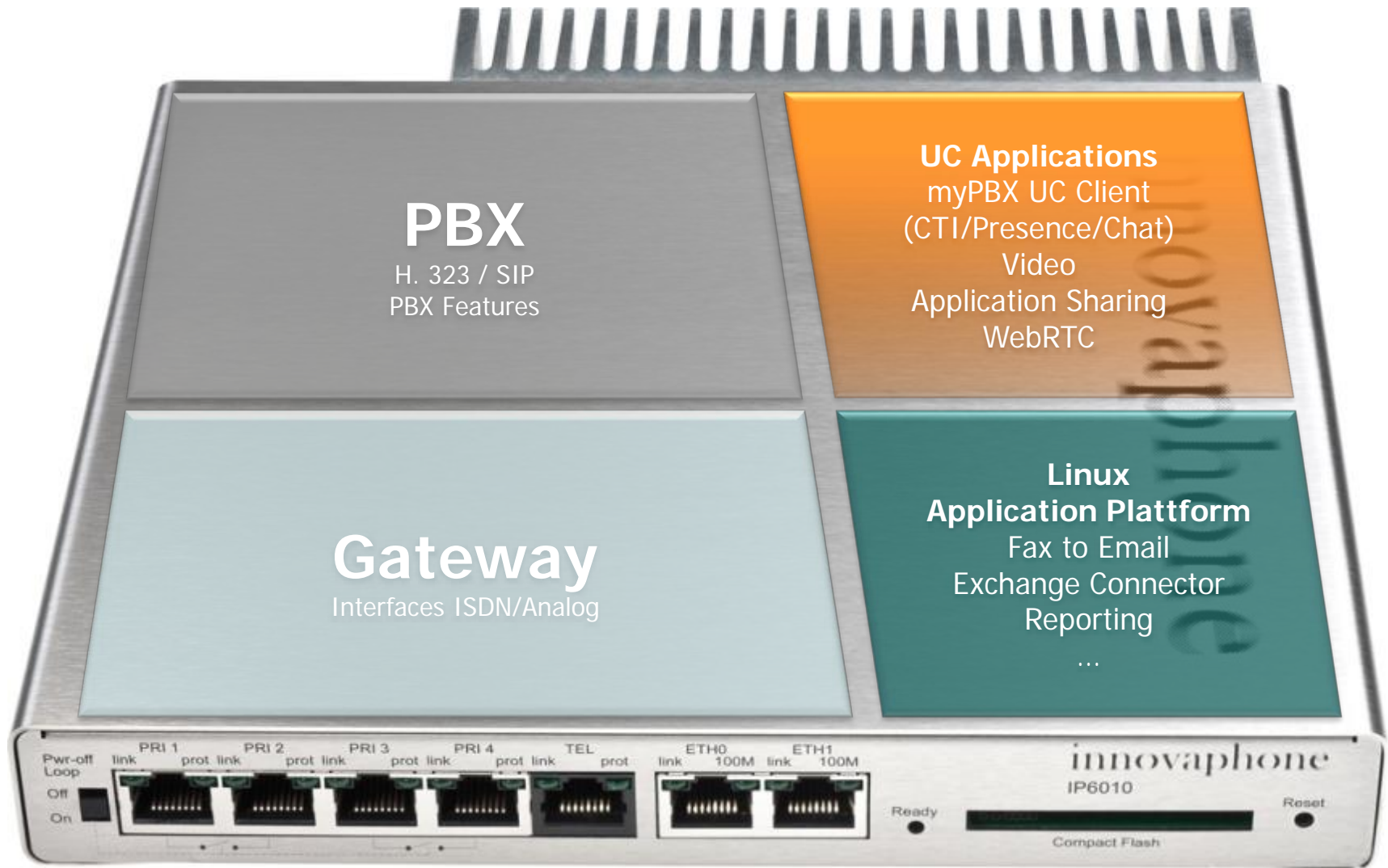
- Simple license model
  - + Hardware
  - + Port-Licenses
  - + UC Licenses
  - Simple Software
  - Assurance Programm
- Clearly defined partnerprogram
  - iAS – the Sales-Partner
  - iAR – the Reseller
- Transaction via the distribution

A handwritten list on a notepad showing a price breakdown for an IP 411 All-in-Box system. The items and their prices are:

IP 411 All-in-Box	450€
20 Telephones	1920€
22 Ports	1078€
10 UC all-in	580€
total	4028€

The total value of 4028€ is underlined with a thick black line.

# innovaphone Product Philosophy



Ultimate Scalability & maximum Flexibility!

innovaphone





# More Security



# Why is security so important?

## The market is changing rapidly:

- Employees expect to
  - be mobile
  - work with various devices (PC, Smartphone, Tablet etc.)
  - work from anywhere
- telephony is only ONE service within the collaboration
- collaboration exceeds corporate boundaries
- nowadays security is more important than ever
- **in times of All IP, security is crucial**
  - with innovaphone, security is simple and on board free of charge!

Security has to be addressed with UC and anywhere workplace concepts!

# More security – Security by innovaphone

## innovaphone emphasises security

Security is an important part of V12 → especially in 2 scenarios:

- Security in „All IP“ scenarios
- Security in „Anywhere Workplace“ scenarios

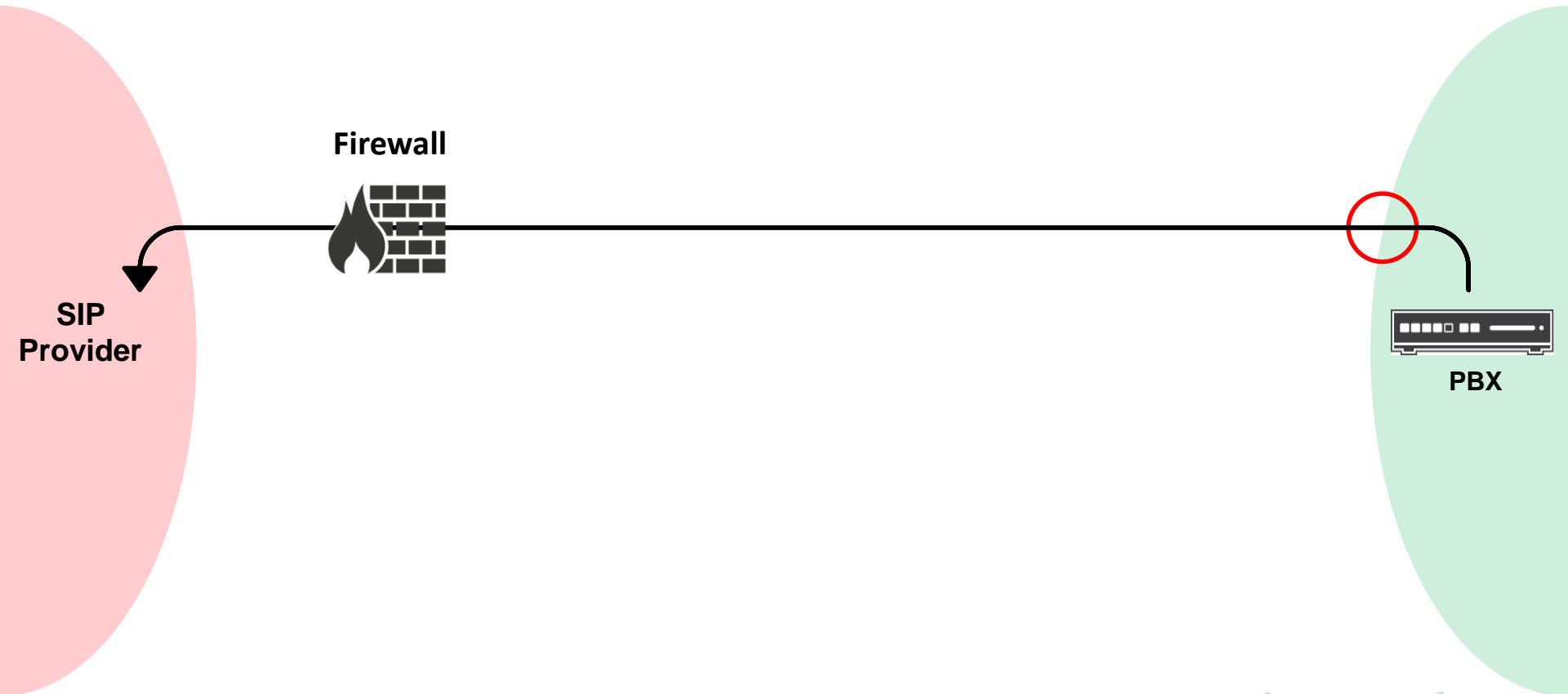
### The solution:

- innovaphone Session Border Controller
- innovaphone Reverse Proxy

# More security: All IP scenario

## All IP

Security risk: The IP network of the customer must be opened towards the SIP provider!

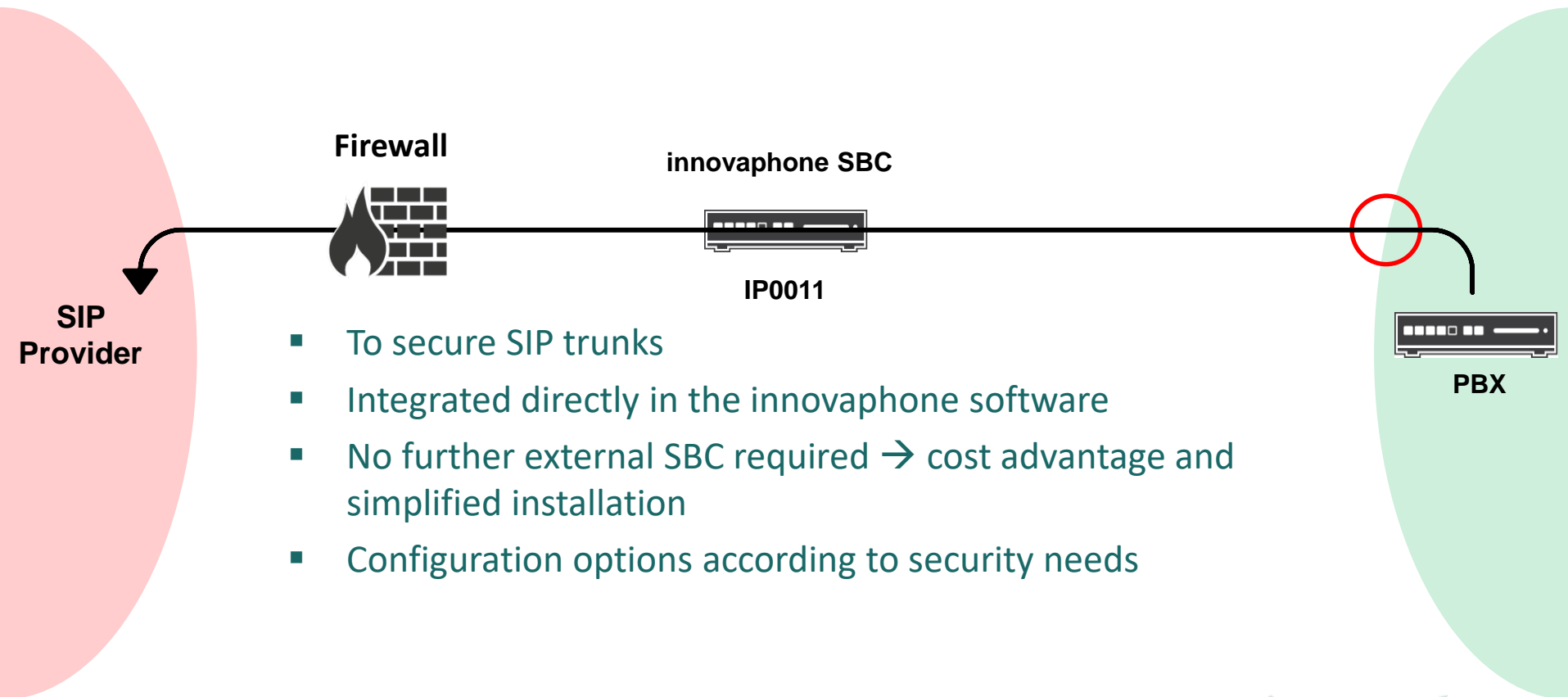


# More security: the innovaphone SBC

## All IP

Security risk: The IP network of the customer must be opened towards the SIP provider!

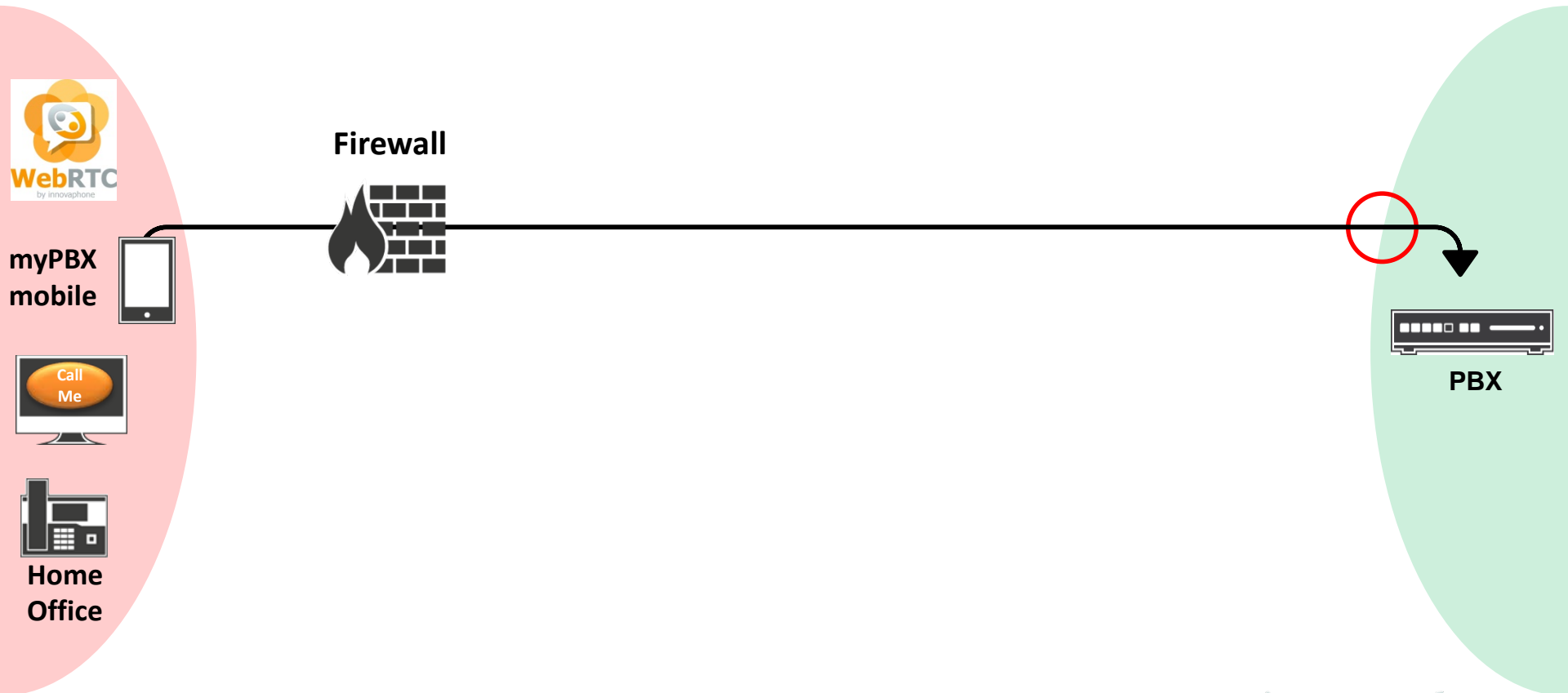
**The solution: the innovaphone Session Border Controller (SBC)**



# More security: Anywhere Workplace

## Anywhere Workplace

Access from external networks → increased security risk

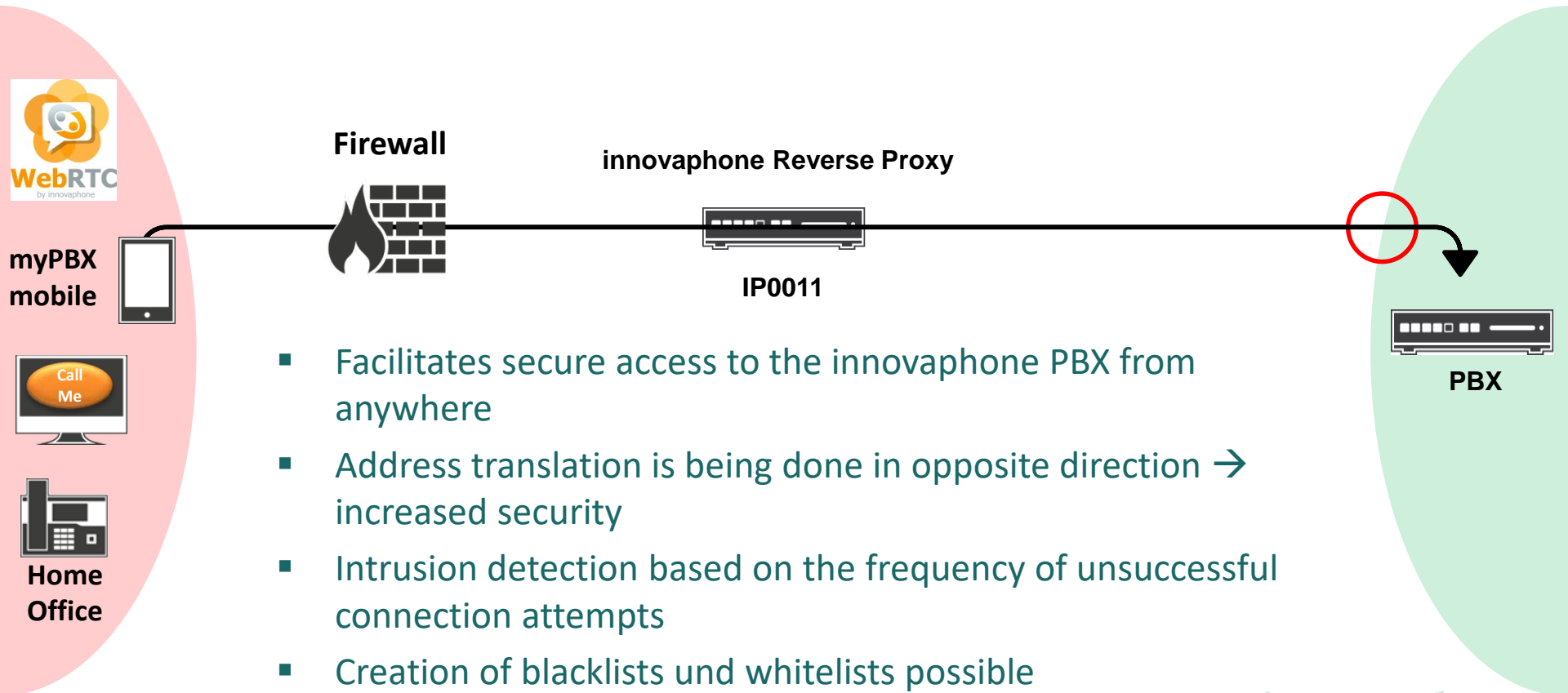


# More security: innovaphone Reverse Proxy

## Anywhere Workplace

Access from external networks → increased Security risk

## The solution: innovaphone Reverse Proxy



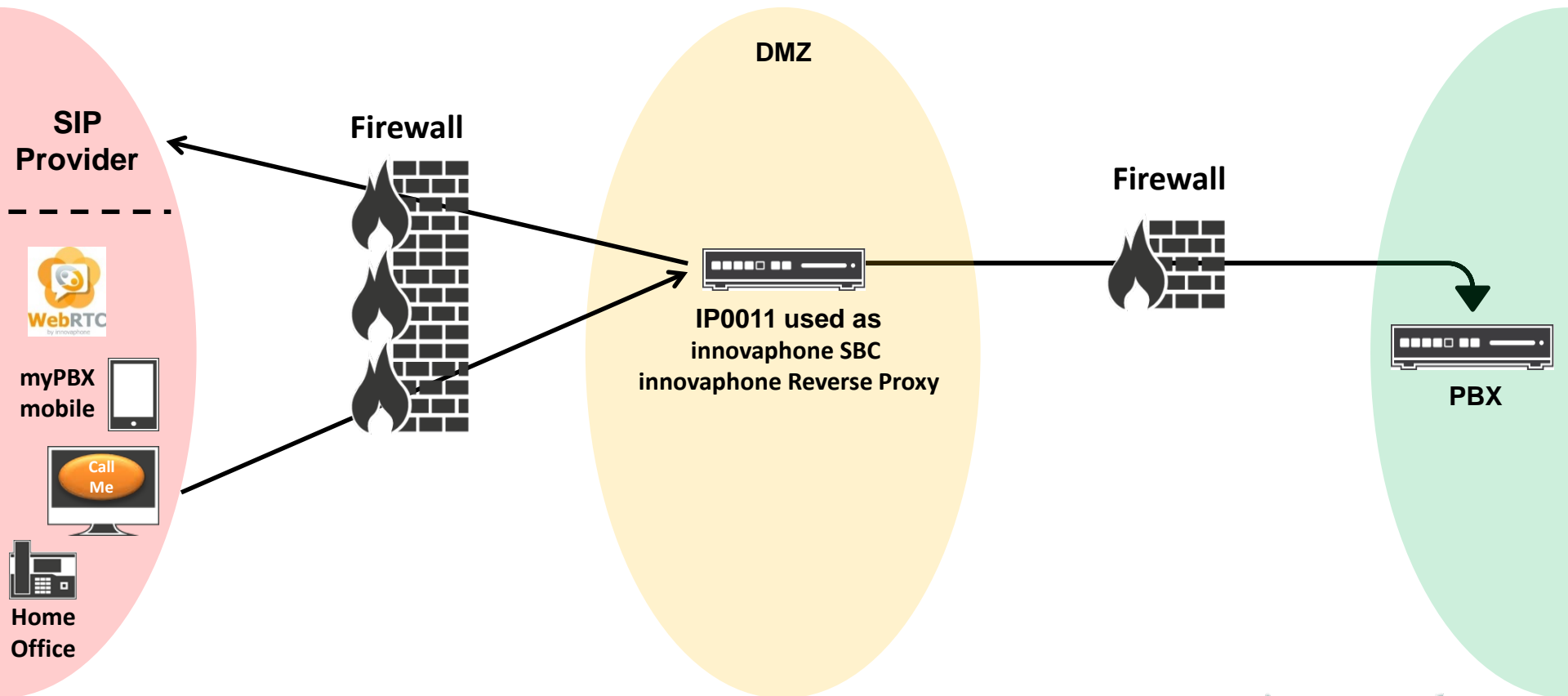
- Facilitates secure access to the innovaphone PBX from anywhere
- Address translation is being done in opposite direction → increased security
- Intrusion detection based on the frequency of unsuccessful connection attempts
- Creation of blacklists und whitelists possible



# More security: DMZ – the full blast solution

**DMZ** (Demilitarized Zone)

= A shielded zone protected by one or more firewalls





# Cloud – powered by innovaphone



IPDYNAMICS



Cloud by innovaphone has arrived – many partners are using it successfully!

innovaphone



# What makes innovaphone so different....?

- Build your own system....



**Gateways** for all applications



**IP-PBX** for all enterprise sizes



**UC-Platform** incl. Video and Collaboration



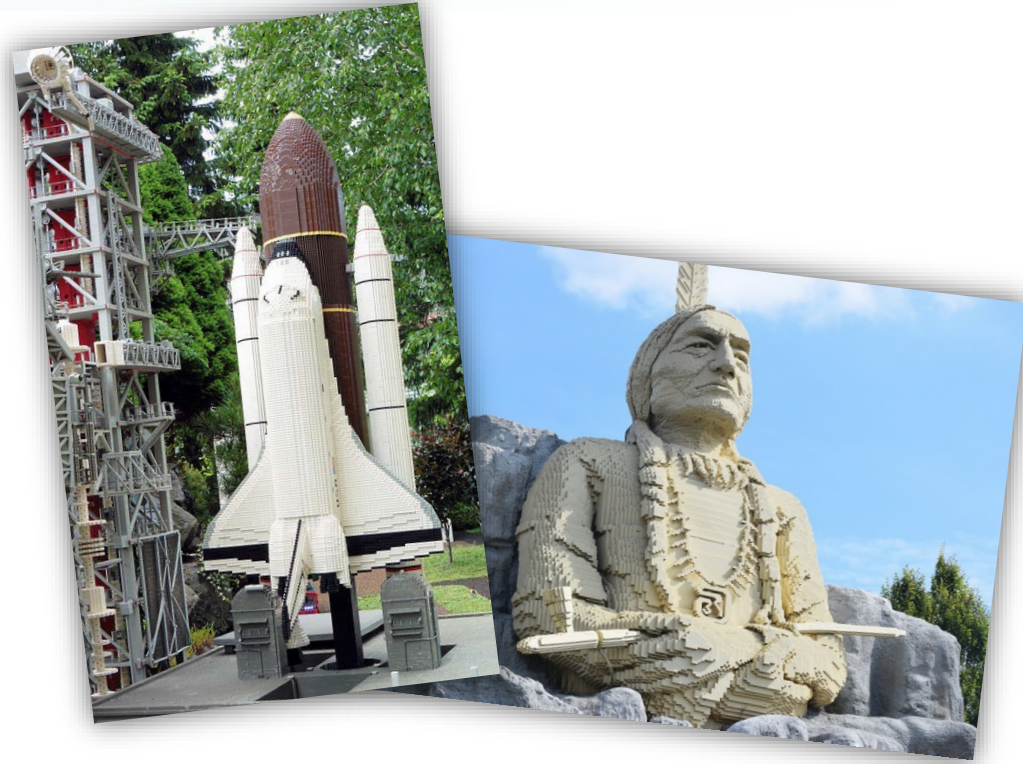
**App Platform** for additional enterprise applications



**Session Border Controller** to secure SIP connections



**Reverse Proxy** to secure external access



**Slave respectively Standby-System** for **local redundancies**



**Channel licenses** for **multimedia-conferences** (inkl. Video of the active speaker)

innovaphone



# innovaphone all-in-one-solution



innovaphone



# VoIP Gateways / PBX



	<b>IP311</b>	<b>IP411</b>	<b>IP811</b>	<b>IP0011</b>	<b>IP3011</b>	<b>IP6010</b>	<b>IP1130</b>
FXO	4	x	x	x	x	x	x
FXS	2	2	x	x	x	x	x
BRI	x	2	5	x	x	1	x
PRI	x	x	x	x	1	2 / 4 E1	1
Conferencing...	x	x	10 User	x	30 User	60 User	30 User
All-in-one-PBX für at least...	50 User	50 User	200 User	500 User	500 User	500 User	x

## New generation of innovaphone VoIP Gateways :

- Faster CPU and more memory
- Modern SSD storage replaces the CF card (for Linux AP)
- Every single gateway with Linux Application Platform
- Gigabit-Ethernet
- Opus Codec for HD voice quality guaranteeing low bandwidth

# VoIP gateway IP311

## VoIP gateway **IP311**:

- Recommended as an „all in one box“ PBX including UC for up to 50 users
- 4 voice channels(FXO)
- 2 analogue subscribers (FXS)
- All hardware licenses included
- No conference channels



PBX and UC in one box for analogue connections or All IP

# VoIP gateway IP411

## VoIP gateway **IP411**:

- Successor of the IP302 and IP305
- Recommended as an „all in one box“ PBX and UC for up to 50 users
- 4 Voice Channels (2 BRI)
- 2 analogue subscribers (FXS)
- Combined advantages of IP302/IP305
- All hardware licenses included
- No conference channels



PBX and UC in one Box for ISDN-Connections or ALL IP

# VoIP gateway IP811

## VoIP gateway **IP811**:

- Successor of the IP810/IP800
- Recommended as an „all in one box“ PBX and UC for up to 200 users
- High-performance CPU and high memory
- 10 voice channels (5 BRI)
- 10 potential conference channels



Future-Proof hardware concept including conferencing for medium sized installations

# VoIP gateway IP3011

## VoIP gateway **IP3011**:

- Successor of the IP3010 (partly IP6010)
- Recommended as an „all in one box“ PBX and UC for up to 500 users
- 30 voice channels(1 PRI)
- 30 potential conference channels



New top-of-the line model for ISDN or All IP



# VoIP media gateway IP1130

## VoIP gateway **IP1130**:

- Successor of the IP1060
- Media gateway
- No PBX functionality
- 30 potential conference channels
- 1 PRI



High-Performance new generation media gateway

# VoIP gateway IP0011

## VoIP gateway **IP0011**:

- Successor of the IP0010
- For „new“ purposes
- Recommended for structured PBX-installations up to 25.000 users (possibly in combination with additional gateways)
- Perfect platform for SBC/Reverse Proxy
- No conferencing



Secret weapon for – SBC, Reverse Proxy, Media Relay, PBX and UC

# Analogue adapter IP29

## IP29 – High-performance analogue adapter:

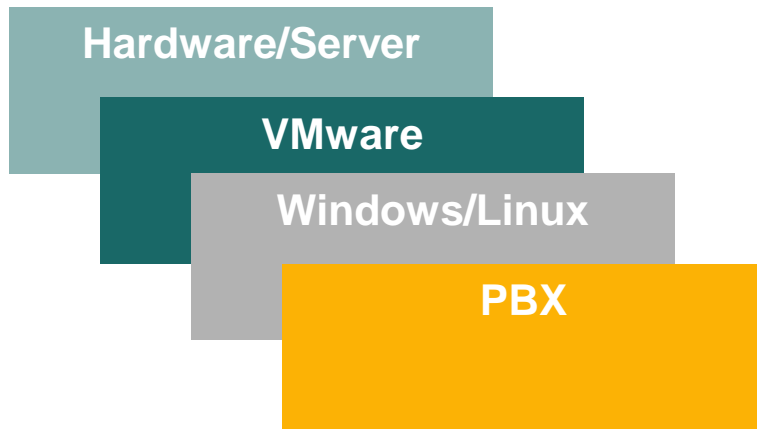
- Successor of the IP28
- 8 analogue connections
- Opus Codec for excellent voice quality using low bandwidth
- Available as a combipack



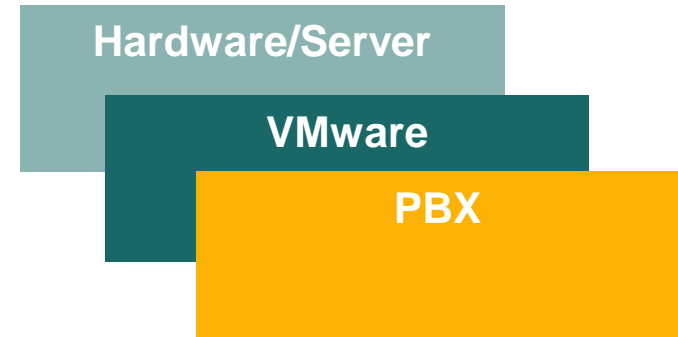
Next Generation: analogue adapter guaranteeing low bandwidth

# innovaphone Virtual Appliance - IPVA

## Common solution



## IPVA



### Your Benefit:

- no additional Costs for running an Operating System
- no additional Expenses for Installation and Training
- Performance twentyfold in Comparison to Competitors

# New generation of IP-Phones

**IP232**



**IP222**



**IP111**

**IP112**



**IP241**

**IP240**



## For all IP phones valid:

- Functional „High End“ devices
- Power over Ethernet or external power supply
- Internal Ethernet-Switch to loop in in front of a PC (10/100/1000)
- Directories: local, central and via LDAP server
- Call forwarding, call lists, different ring tones
- Headset, speaker phone,...

innovaphone



# User Interface - Apps



reddot design award  
winner 2011



innovaphone



# User Interface - Presence



# User Interface – Webcam App



innovaphone





# Special Phones



**Special Phones for  
rough conditions**

## **IP150**

- Housing made of blow and shock resistant Material
- deployable as a Wall or a Desktop Phone
- noticable by its Housing in red Signal Colour
- extremely loud ringing – up to 92 db(A)
- Type of Protection: IP65 (based on EN 60529)

## **Examples of Application:**

- Chemical Industry
- Mining / Tunnel Construction
- Oil Platforms
- Shipping

**Other Versions by request (e.g. ex resistant)**

# innovaphone all-in-one-solution



innovaphone



# Analogue Adapter

**IP 29**



**IP 29-4**



**IP 22**



**IP 29 CombiPack**



## For all Analog Adapters valid:

- Integration of up to 8 analog devices to the VoIP Network
- Power over Ethernet
- Connection for analog Fax (T.38) and other analog devices
- mountable in 19" rack (2 Devices build one Rack Unit)

# innovaphone all-in-one-solution



innovaphone



# Mobility – IP DECT



## **IP1202 / IP1202/4**

- Base Station for up to 8 parallel Calls
- Multi-cell
- Roaming
- Automatic Hand-over
- CAP
- H.323 & SIP based Gateway/PBX
- Echo Cancellation
- Power supply via PoE or PSU



# Mobility – IP DECT devices



## IP61

- first-class Speech Quality
- central Administration and Configuration
- local, central and cross-company Directory
- Vibrating Alert
- large & illuminated Display

## IP63

- same functionality as IP61
- large, intuitive Colour Display
- Bluetooth available optionally
- in connection with Ascom Solution:
  - Push-button Alarm (Protector)
  - Messenger Functionality

# Mobility – WiFi Phone IP62



**The first WiFi Handset capable of  
Deployment in all IEEE-802.11 a/b/g/n  
Networks!**

## IP62

- first-class Speech Quality
- central Administration and Configuration
- local, central and cross-company Directory
- integrated Speakerphone
- Vibrating Alert
- Resistance to Spray, Dust & Chemicals allows for an easy Desinfection
- High-Performance Battery:
  - Active talk time: up to 15h
  - Stand-by time: up to 100h
  - Charging time: 2.5h

# Mobility - myPBX for Android / iOS



## myPBX for Android / iOS

- Function keys similar to end device
- myPBX Favourites
- Central PBX Phonebook
- We recommend at least Android 4.1
- Available google Play  
**FREE OF CHARGE!!**

MyPBX for Android certainly turns the smartphone into an innovaphone device!



# Mobile corporate communications with myPBX

## Making calls via a notebook/PC

- No hardware phone required
- Windows-based
- Additional functionality with the myPBX launcher

myPBX Software  
phone

## Making calls via a browser

- On various operating systems (Windows/MacOS/Linux)
- On browser-compatible end devices (tablets)

myPBX with  
WebRTC

## Making calls with the smartphone

myPBX iOS /  
Android

## ~~Controlling a smartphone via the browser~~

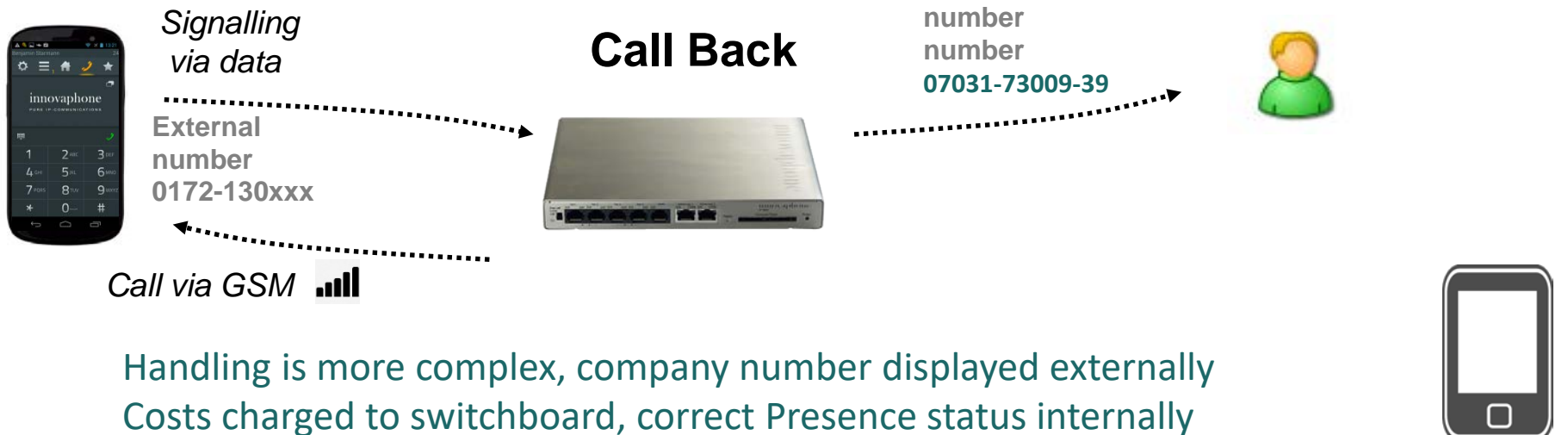
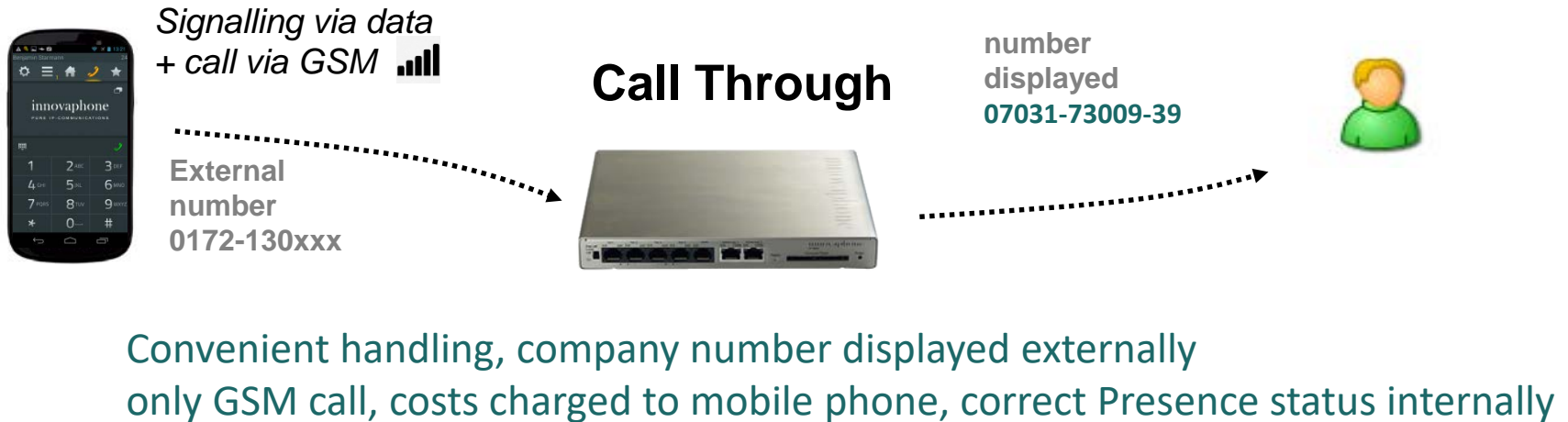
myPBX mobile

## Integrating external phones

myPBX



# Smartphone integration - call through/call back



# Smartphone integration - call through/call back



Signalling via data  
+ call via GSM

External number  
0172-130xxx

Convenient handling  
only GSM call, costs

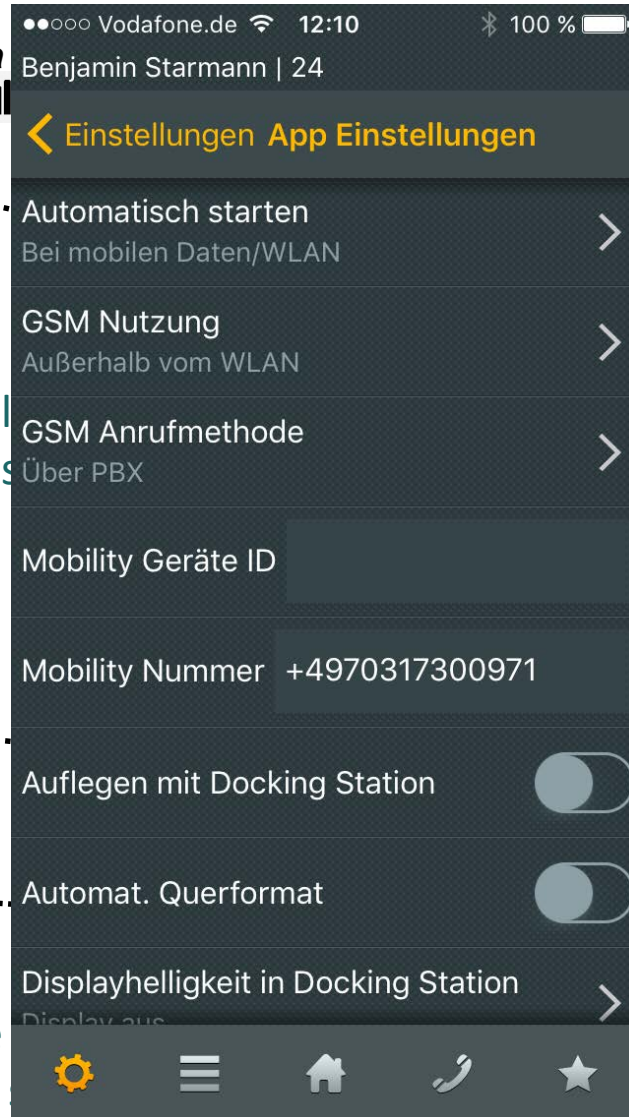


Signalling  
via data

External number  
0172-130xxx

Call via GSM

Handling is more  
Costs charged to



Member  
displayed  
031-73009-39



Member  
displayed externally  
Direct Presence status internally

Member  
displayed  
031-73009-39



Member  
displayed externally  
Direct Presence status internally



innovaphone



# Changing Technology: WebRTC

## What is WebRTC?

- Real-time communication via standard web browser (Audio, Video, Collaboration...)
- Open standard within a web browser WITHOUT additional plugins

## Which Browser does support WebRTC?

- Google Chrome, Mozilla Firefox, Opera
- Not yet: Internet Explorer
- Maybe: Safari

## Where does WebRTC come from?

- Driven by [Google](#), [Mozilla Foundation](#) and [Opera Software](#)
- WebRTC based on HTML 5 and JavaScript
- Based on various open-source codecs: Opus (Audio), VP8 (Video)



Platform independent myPBX Softwarephone

# WebRTC example of use 1

## Conferencing including video and Application Sharing

### Video conferencing:

- Internal and external (WebRTC) users
- Always the current speaker will be displayed
- No additional hardware necessary

### Application Sharing:

- Internal and external (WebRTC) users
- Sharing can only be initiated via a myPBX-user (launcher)
- WebRTC users can participate
- Application will be shown on every screen
- Transfer of control to external users possible
- Perfect for webinars, trainings and other similar meetings

Conferencing: video and Application Sharing also available externally!

# WebRTC example of use 2

The screenshot displays the innovaphone website's user interface. At the top, the logo "innovaphone" is accompanied by the tagline "PURE IP COMMUNICATIONS" and a small orange fish icon. Navigation links for "english", "Contact", and "Partner Login" are visible, along with a search bar. A row of social media icons (Facebook, Twitter, Google+, LinkedIn, YouTube, etc.) is positioned below the navigation. A horizontal menu contains categories like "IP telephony", "Unified Communications", "Solutions", "Company", "References", "Partner", and "Support".

The main content area is titled "Video call to innovaphone". It features a "WebRTC" logo and a descriptive paragraph: "WebRTC enables video telephony from your web browser. If you are using an innovaphone PBX and the myPBX Toolbox, you can also offer this Call Me button and other features on your own website - just try it!".

Below the text, there are two large video call windows. The left window, labeled "Your innovaphone contact", shows a male agent wearing a headset. The right window, labeled "Self view", shows a male customer in a suit holding a mobile phone. At the bottom, there are two smaller contact cards: "Sales" with a green "Available" status and "Development" with a red "Not available" status.

Customer contact via one click of the mouse

# WebRTC by innovaphone



- innovaphone can use the browser based webclient myPBX as a WebRTC interface
- User selects WebRTC as the device being used
- You will be asked for permission to use Micro/Headset and Camera of local device
- Real-time communication can start

# Unified Communications by innovaphone



**LIVE**  
LIVE

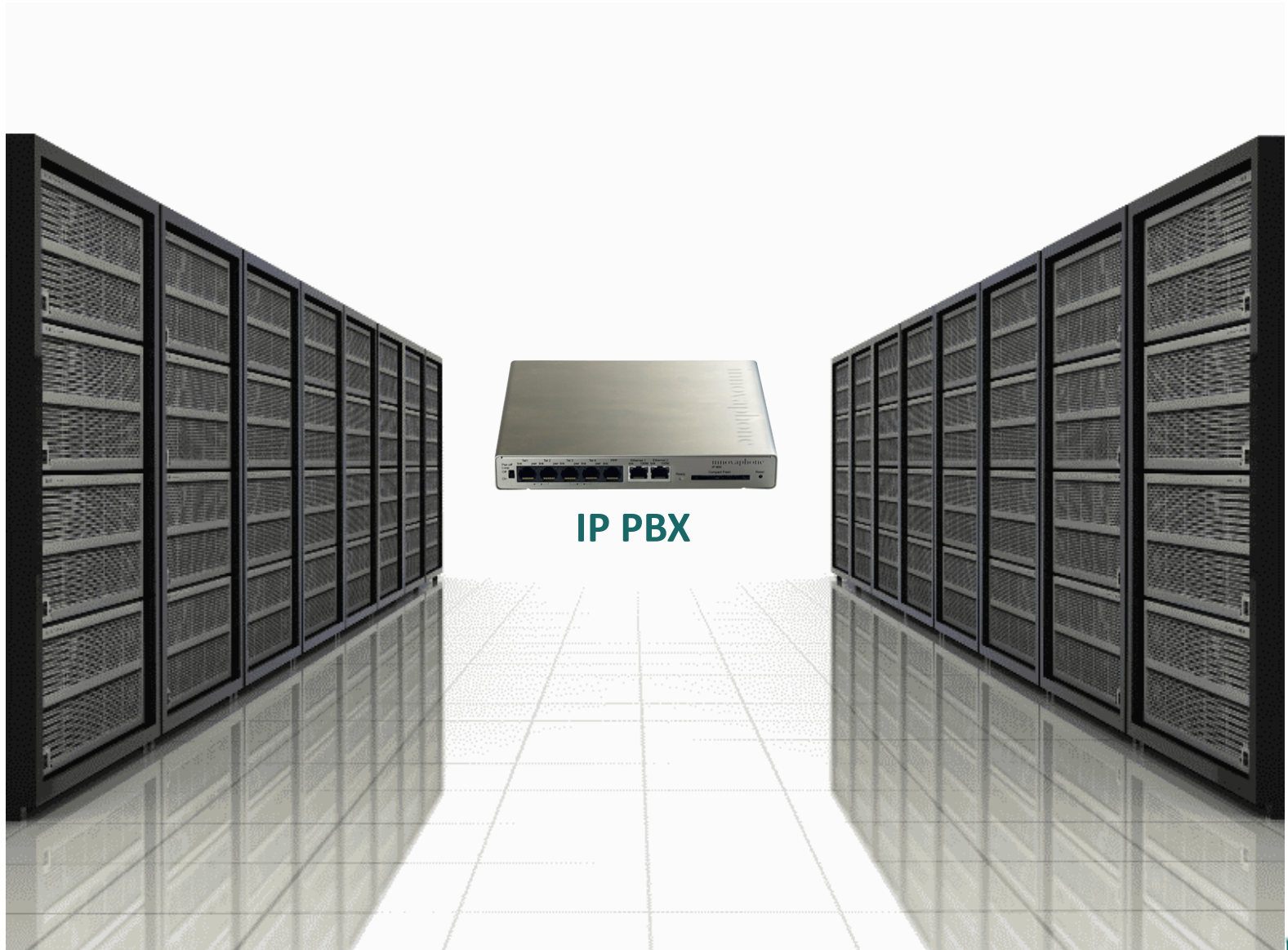




## Unified Communications



# innovaphone UC architecture

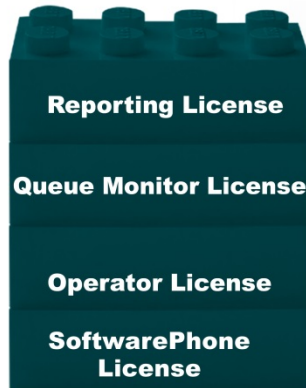


# License model

## PBX Licenses



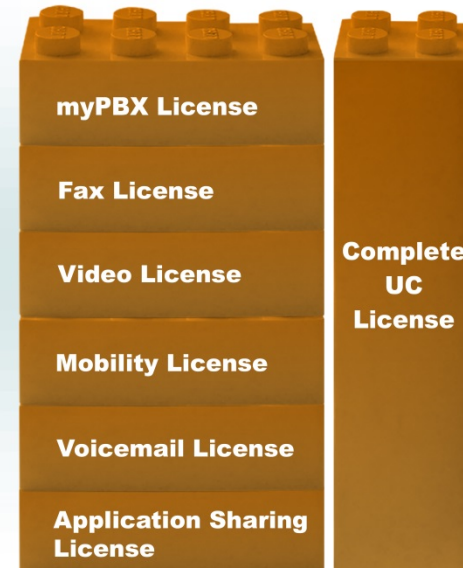
## Application Licenses



## Gateway Licenses



## UC Licenses



# Test licenses for everyone – for 3 months!

## ▪ PBX Licenses

- Port Licenses
- Standby Licenses
- IPVA Licenses

## ▪ UC Licenses

- myPBX
- VoiceMail
- Video
- Application Sharing
- Mobility
- Faxserver

## ▪ Application Licenses

- Operator
- Queue Monitor
- Reporting
- Voice Recording

## ▪ Interface Licenses

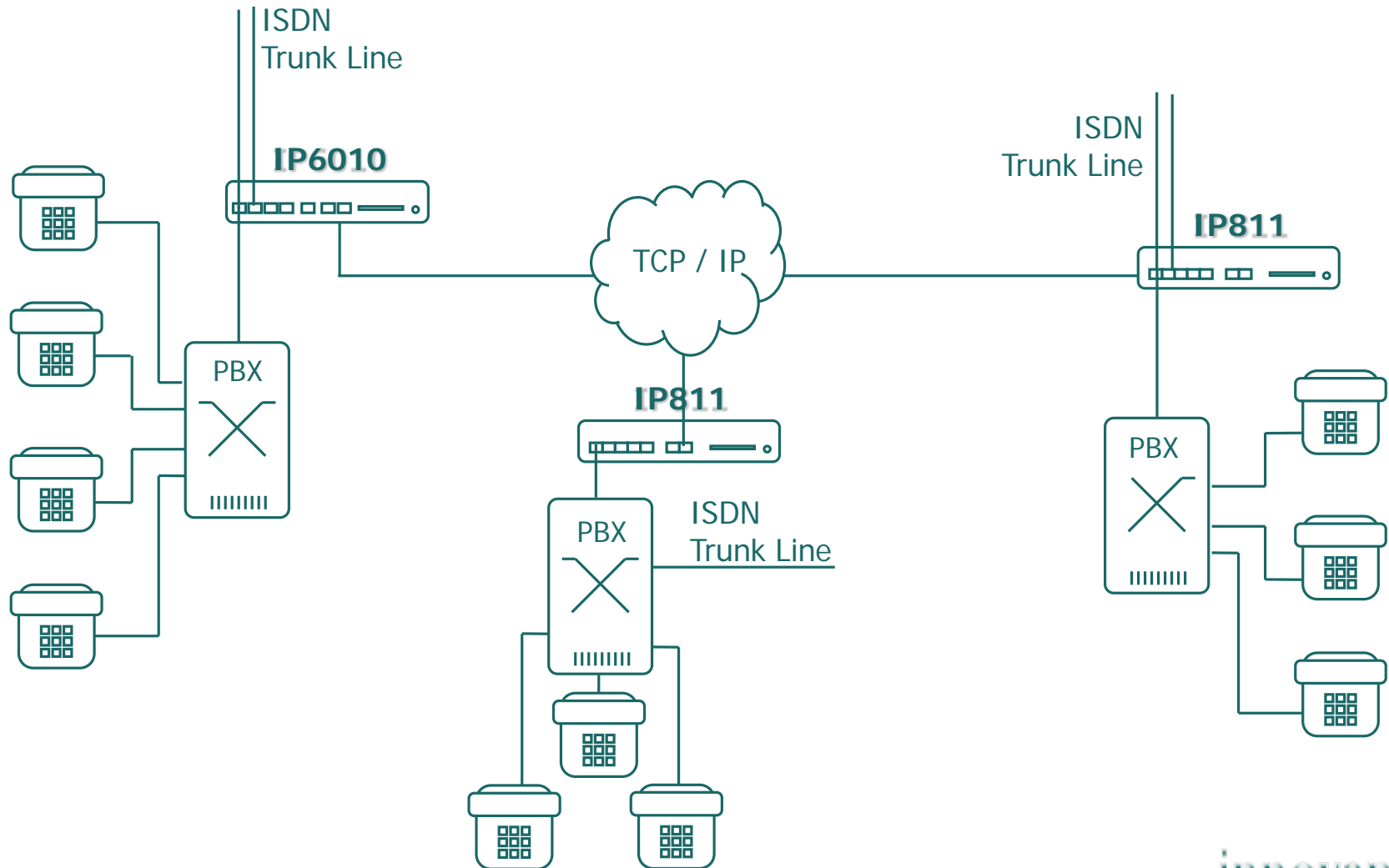
- BRI Lic
- PRI Lic
- DSP Channels



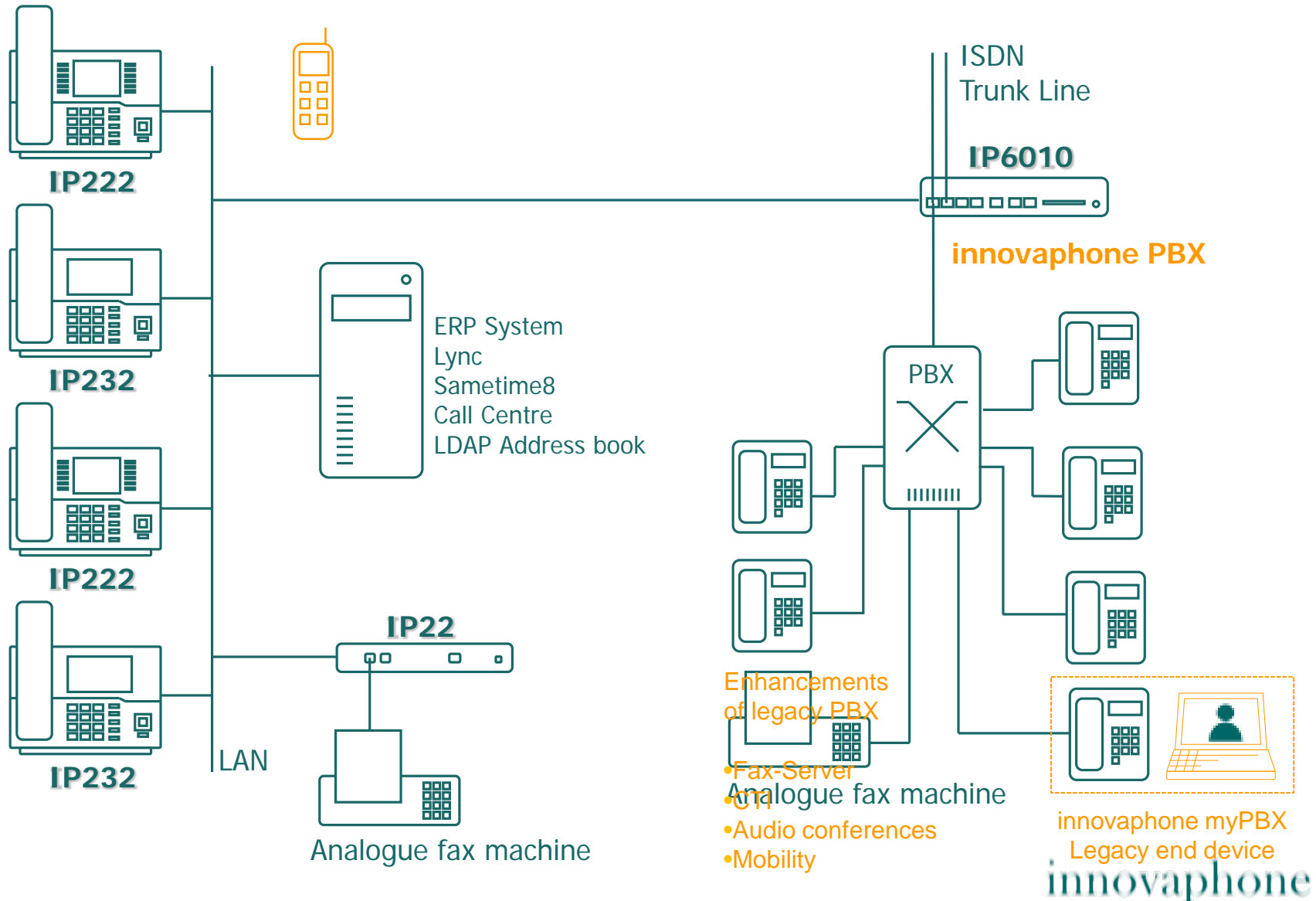
- ***Test Licenses in my.innovaphone***
- ***Valid for 3 months***
- ***Complete activation of interfaces and licenses***
- ***Non-recurring***

Perfect for testing!

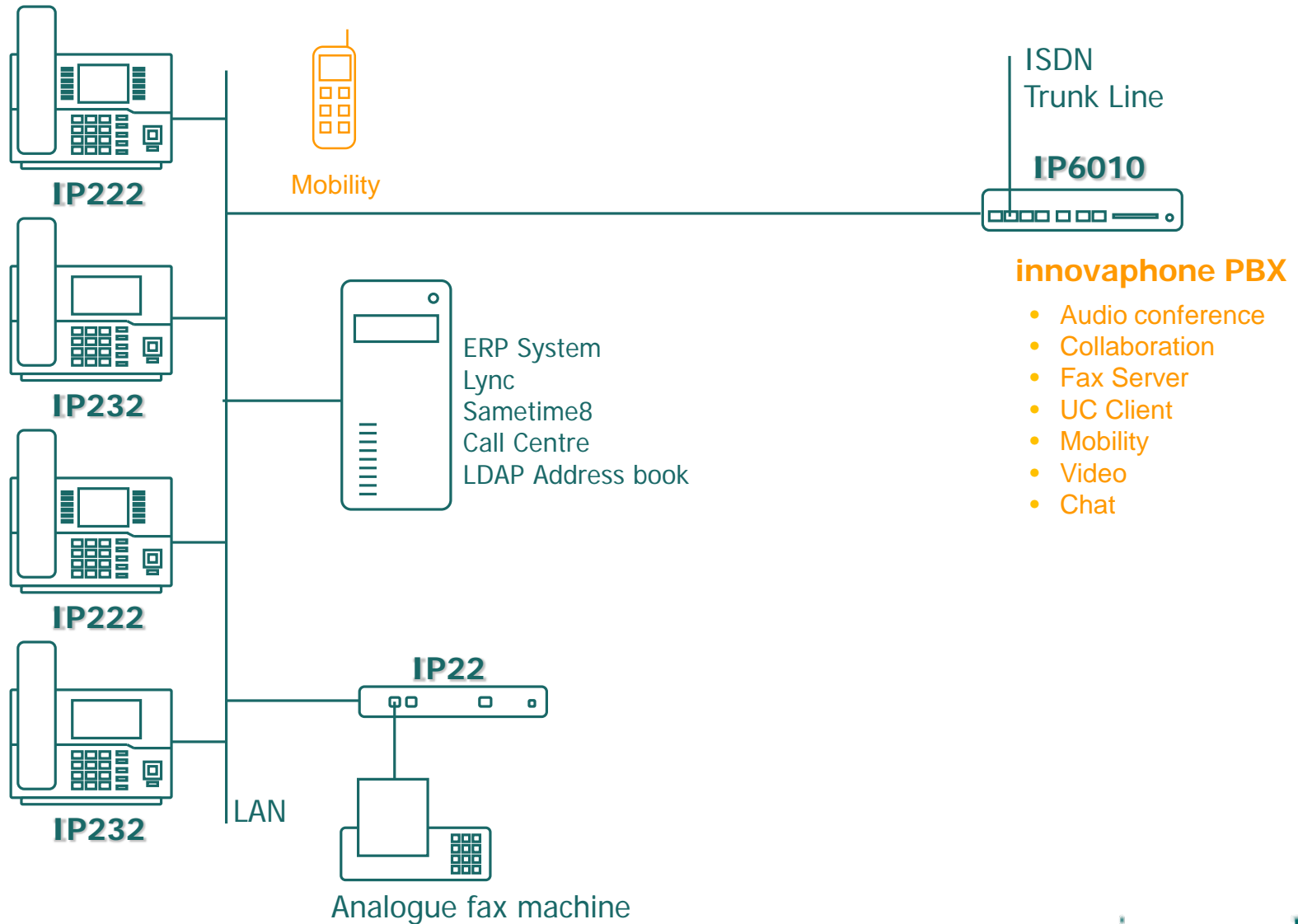
# Solution scenarios - Trunking



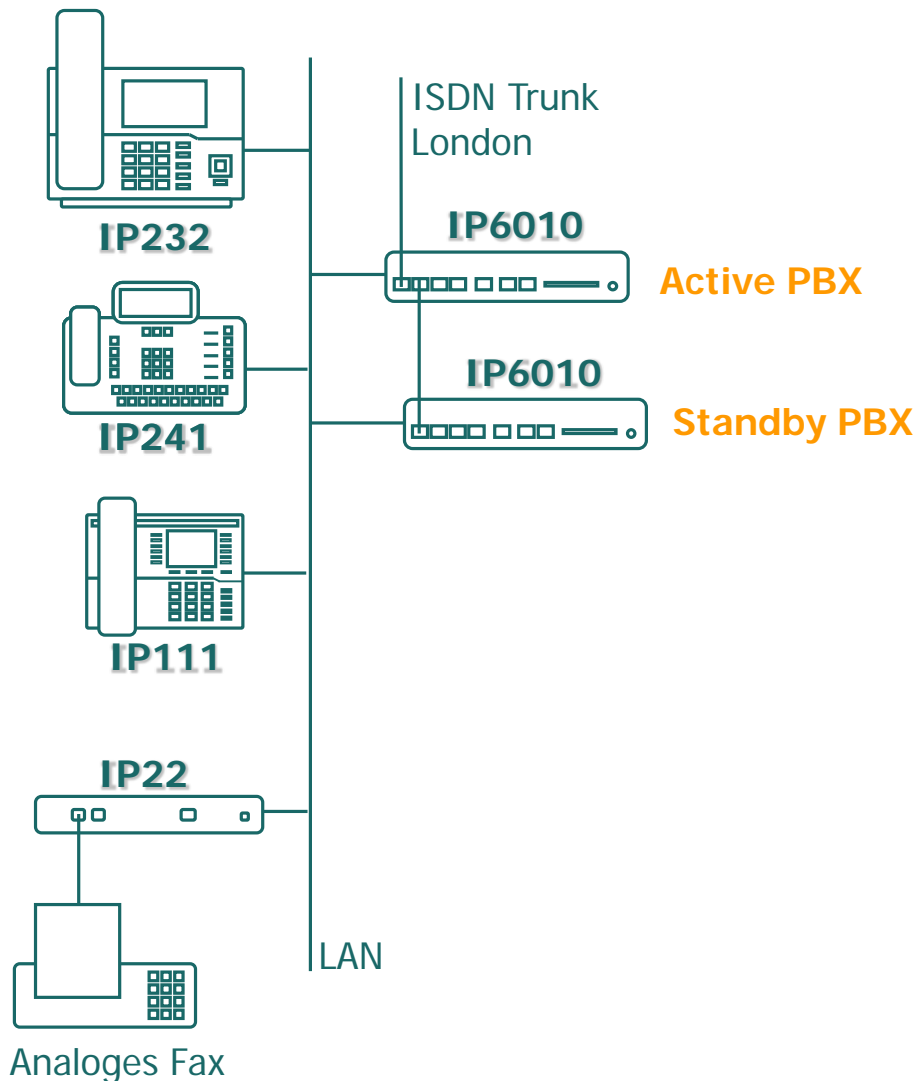
# Solution scenarios – Soft migration



# Solution scenarios – Soft migration



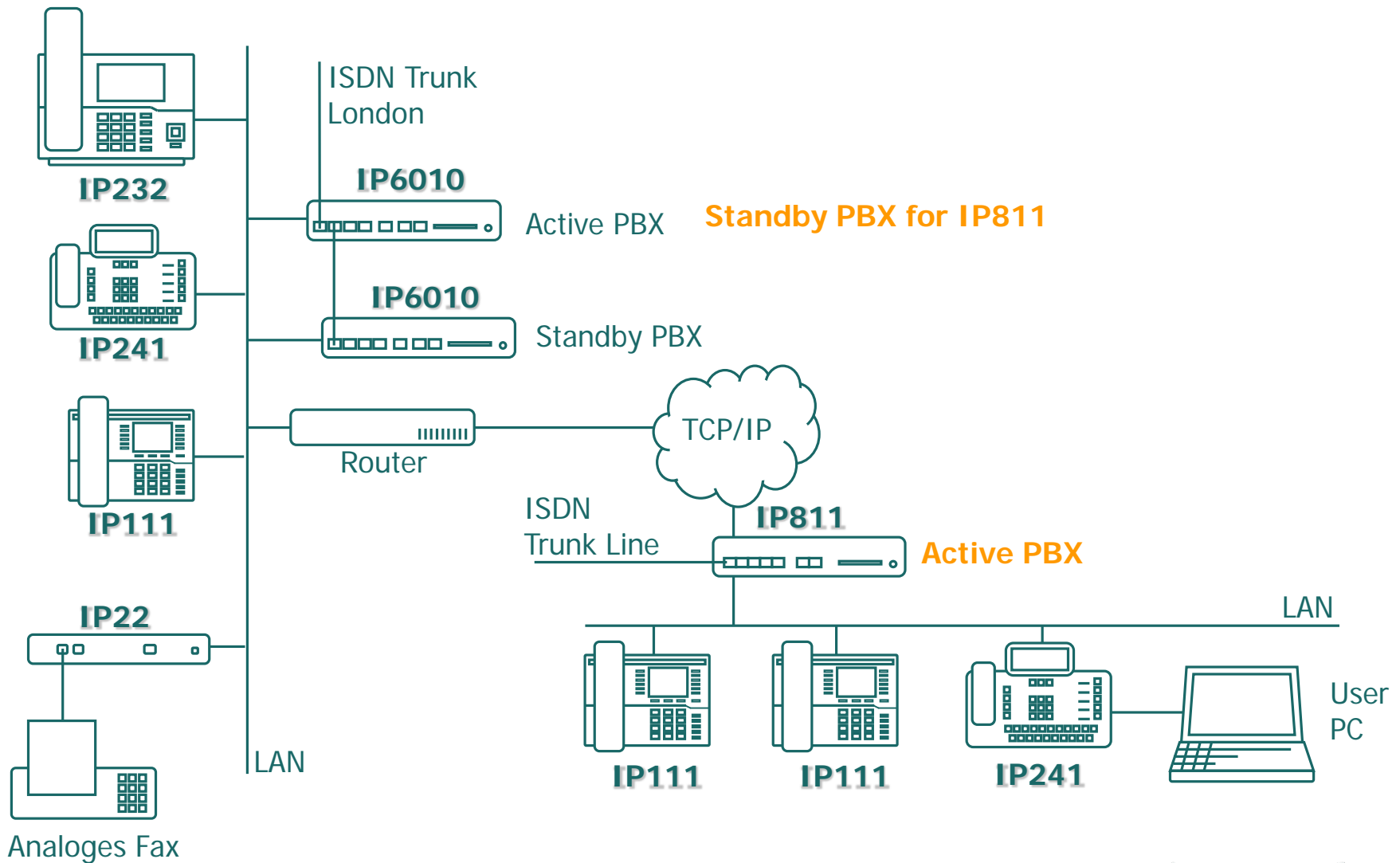
# Solution scenarios – Redundant systems



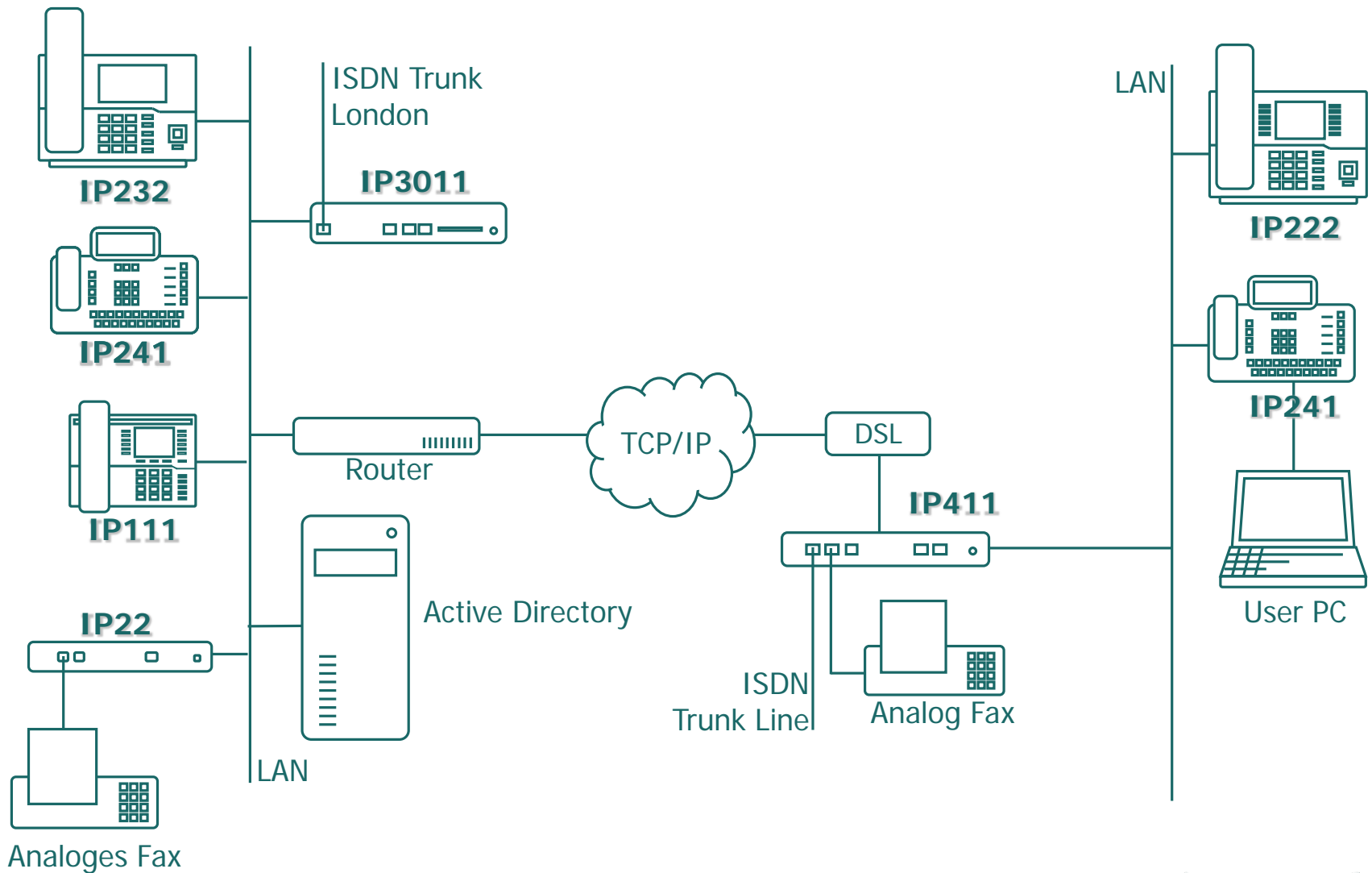
- ISDN trunk bypassed to the second gateway
- Standby PBX automatically logs on to the active PBX - but doesn't accept any registrations as long as the active PBX is available
- All user data will be replicated continuously
- As soon as the active PBX fails, the standby PBX takes over all registrations



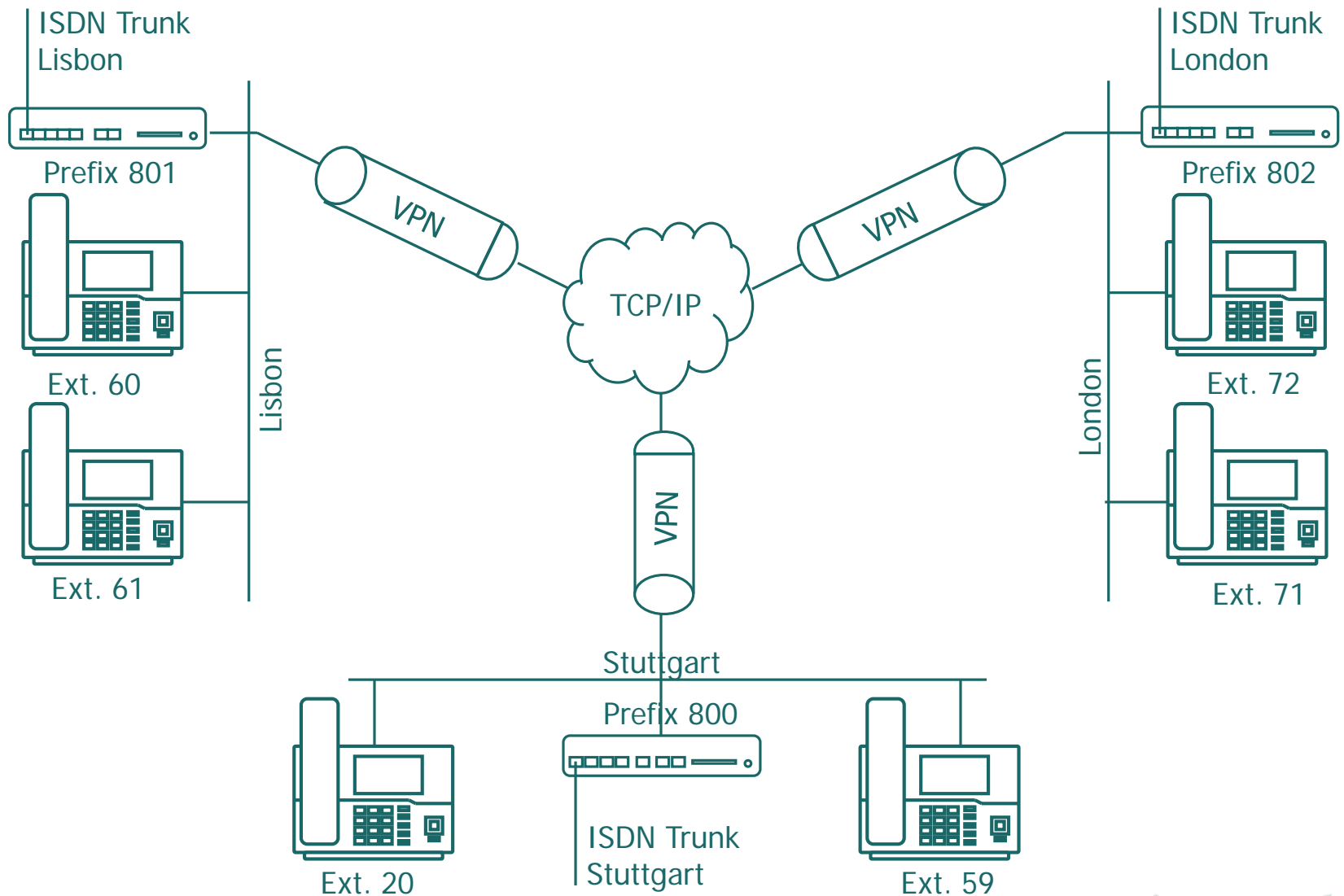
# Solution scenarios – Redundant systems



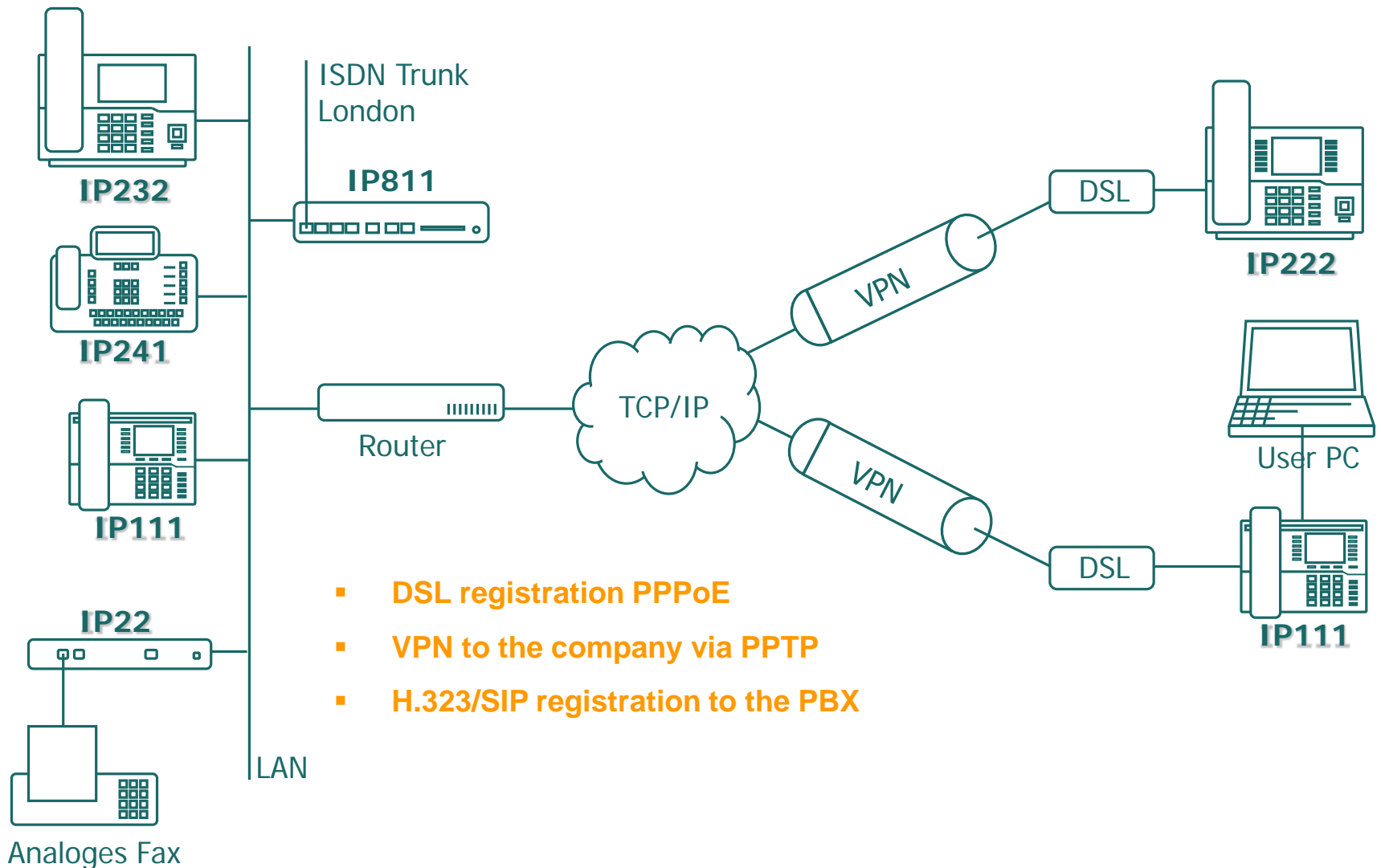
# Solution scenarios – Branch office



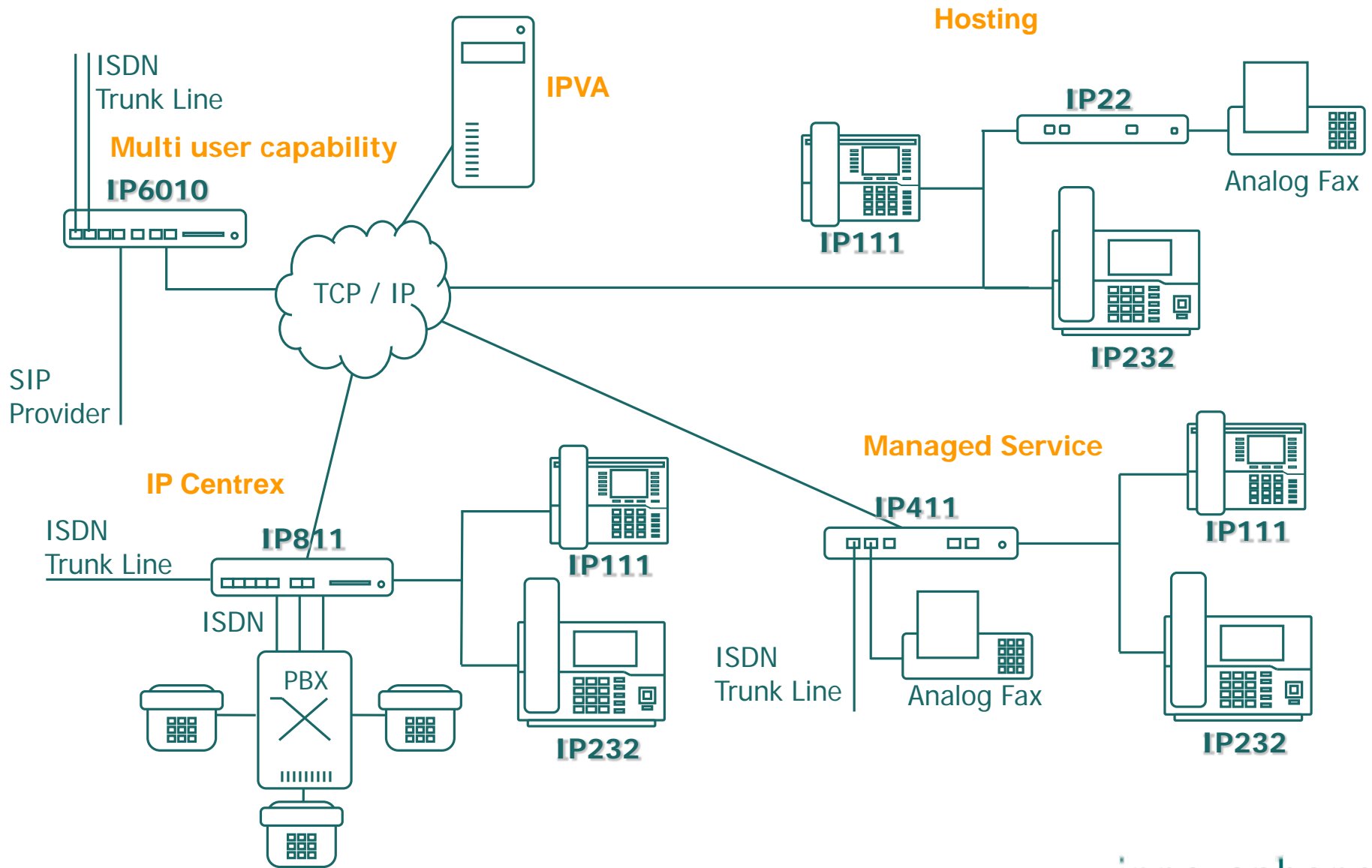
# Solution scenarios – Location concept



# Solution scenarios – soho



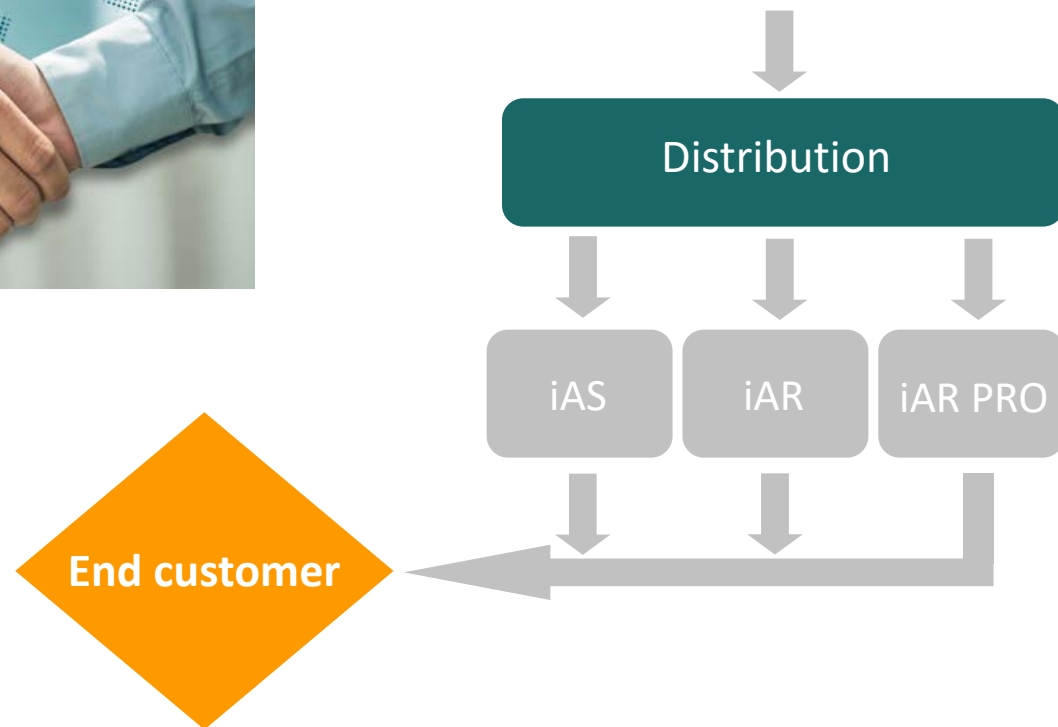
# Solution scenarios – Hosted PBX



# Partner program



# innovaphone



innovaphone



# iAR partner program



## Investment

- Training course with innovaphone
- Trainings package
- Partner contract

## Advantages

- Direct Support from innovaphone
- Direct Sales SPOC
- On-site Support (Sales/Presales)
- Special iAR-retail prices
  - 30% discount on RRP
  - 38% margin with standard business
- Special NFR conditions
- Joint marketing efforts
- Trainings Package

Information and dates can be found here

<http://www.innovaphone.com/en/partner/training.html>

# iAS partner program



## Investment

- One day sales training (Webinar / onsite)
- One day technical training (Onsite, at the Distributor)
- Completed 😊

## Advantages

- Low training effort
- Special iAS – purchase conditions
  - 20% discounts on the RRP
  - 25% margin with standard business!
- Special NFR conditions

Information and dates can be found here

<http://www.innovaphone.com/en/partner/training/ias-distributors.html>



- *Why should my customer use innovaphone?*
  - All known features are implemented, Telephony + Unified Communications
  - Slim platform, all in one box (Appliance)
  - Modern and future-proof telecommunication system – Investment protection
  - German producer, very solid solution
- *Why should I become innovaphone reseller?*
  - Good technology brings satisfied customers
  - In the telephony / Voip area arise long term customer relationships
  - The telephony market is changing– a lot of customer have to do something
  - Easy access with innovaphone as a reseller

# innovaphone partner portal

## innovaphone partner portal:

- Informative platform exclusively for innovaphone certified partners
- Exclusive News about innovaphone and our products
- Price lists
- Price calculator
- Load calculator
- Project registration
- Access to our newsletter
- Partner downloads
- Event support
- And much more

The screenshot shows the innovaphone Partnerportal website. The header features the innovaphone logo (PURE IP COMMUNICATIONS) and a navigation menu with items: IP Telefonie, Unified Communications, Lösungen, Unternehmen, Referenzen, Partner, Support, and Partnerportal (highlighted). The main content area displays a banner for 'innovaphone Dialoge 2015' with a 'Mehr Infos' button. The left sidebar contains a list of links: Partner Newsletter, Partner Tools, Eventunterstützung, Partner Downloads, Wegweiser, FAQs, Kontakte (Vertriebskontakt, Pressekontakt), and Finden Sie Ihren Business Partner. The footer includes contact information: Tel.: +49 (7031) 730 09 0 and kontakt@innovaphone.com.

# innovaphone References

**Continental** 

**dm**

HIER BIN ICH MENSCH  
HIER KAUF ICH EIN

*my  
Douglas.de*

**Intermarché**  
SUPER

 **TUI**

**Vergölst**  
Reifen + Autoservice

 Volksbank Stuttgart eG

innovaphone



# Thanks!



# Questions?

innovaphone

